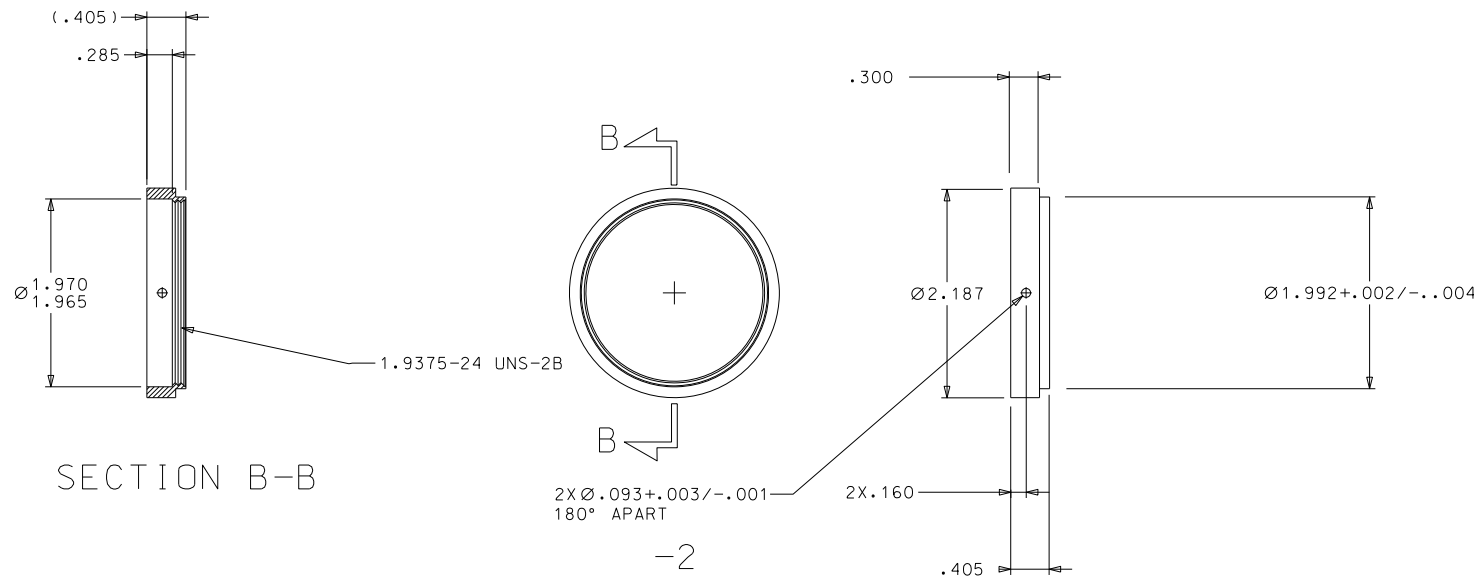


THE INFORMATION DISCLOSED HEREIN WAS ORIGINATED BY AND IS THE PROPERTY OF BIRK AEROSYSTEMS CORPORATION. BIRK AEROSYSTEMS CORPORATION RESERVES ALL PATENT, PROPRIETARY, DESIGN, USE, MANUFACTURING AND REPRODUCTION RIGHTS THERE TO.

REVISION				
ZONE	REV	DESCRIPTION	DATE	APPROVED
	-	SEE DCN 0657.	00-06-20	BLB



		UNLESS OTHERWISE SPECIFIED DIMENSIONS ARE IN INCHES		CONTRACT NO.		BIRK AEROSYSTEMS CORPORATION	
		TOLERANCES ARE:		APPROVALS		GARDEN GROVE, CALIFORNIA 92843	
		FRACTIONS DECIMALS ANGLES		DATE		TITLE	
		±1/32 .XX ±.05 ±1/2°		DRAWN BLB 00-06-20		MOUNTING NUT	
		.XXX ±.010		CHECKED BLB 00-06-20		SIZE CAGE CODE	
		DO NOT SCALE DRAWING		ENGR BLB 00-06-20		DWG NO.	
		MATERIAL		ISSUED BLB 00-06-20		8008	
		SEE PL		FILE NO. 8008/PV2		SCALE 1/1	
		FINISH				WT.	
		SEE NOTE(S)				SHEET 2	
NEXT ASSY		USED ON				REV. -	
APPLICATION							

DWG NO. 8008 SH 2 REV 1