

4

3

2

1

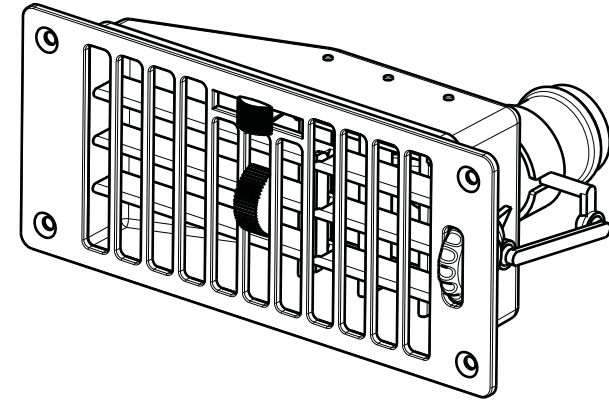
THE INFORMATION DISCLOSED HEREIN WAS ORIGINATED BY AND IS THE PROPERTY OF BIRK AEROSYSTEMS CORPORATION. BIRK AEROSYSTEMS CORPORATION RESERVES ALL PATENT, PROPRIETARY, DESIGN, USE, MANUFACTURING AND REPRODUCTION RIGHTS.

REV STATUS OF SHEETS	REV SHEET	B	B		
		1	2		

ZONE	REV	DESCRIPTION	DATE	APPROVED
	-	SEE DCN 4377.	10-07-08	BLB
	A	SEE DCN 4600.	10-10-22	BLB
	B	SEE DCN 5208.	11-06-06	BLB

NOTE(S):

1. LEXAN MATERIAL MEETS FLAMMABILITY REQUIREMENTS OF FAR 25.853.
2. IDENTIY AS SHOWN.
3. GEOMETRY/SURFACES DEFINED BY CATIA MODEL AV17800-1 REV.C.
4. ACCEPTANCE TEST PER ATP17800.
5. AIR OUTLET TO FUNCTION FROM -65°F TO +160°F.
6. MAXIMUM AIR LEAKAGE IN CLOSED POSITION 1.0 SCFM AT 4.0 INCHES H2O.
7. AIRFLOW IN FULL OPEN POSITION SHALL BE AT LEAST 11 SCFM AT 1.0 INCHES H2O.



ISOMETRIC VIEW

BAC PART NO.	BOMBARIDER PART NO.	COLOR SCHEME
AV17800-1	NONE	BLACK
TABLE 1		

QTY	REQD	1-1	CAGE CODE	PART OR IDENTIFYING NO.	NOMENCLATURE OR DESCRIPTION	MATERIAL SPECIFICATION	ITEM NO.
	1			17800-1	COCKPIT A.O.	LEXAN 940-701 (BLACK)	1

**PARTS LIST**

UNLESS OTHERWISE SPECIFIED DIMENSIONS ARE IN INCHES		CONTRACT NO.		BIRK AEROSYSTEMS CORPORATION	
TOLERANCES ARE:		APPROVALS		GARDEN GROVE, CALIFORNIA 92843	
FRACTIONS	DECIMALS	ANGLES	DRAWN	DATE	TITLE
±1/32	.XXX±.03	±1/2°	SM	10-07-08	COCKPIT AIR OUTLET
DO NOT SCALE DRAWING		CHECKED	ALB	10-07-08	
MATERIAL SEE PL		ENGR	SM	10-07-08	
FINISH SEE NOTE(S)		ISSUED	CLB	10-07-08	
TREATMENT		FILE NO.	AV17800/PV	SCALE	1/1
		SIZE	CAGE CODE	DWG. NO.	AV17800
		SCALE	1/1	WT.	
				SHEET	1 OF 2

4

3

2

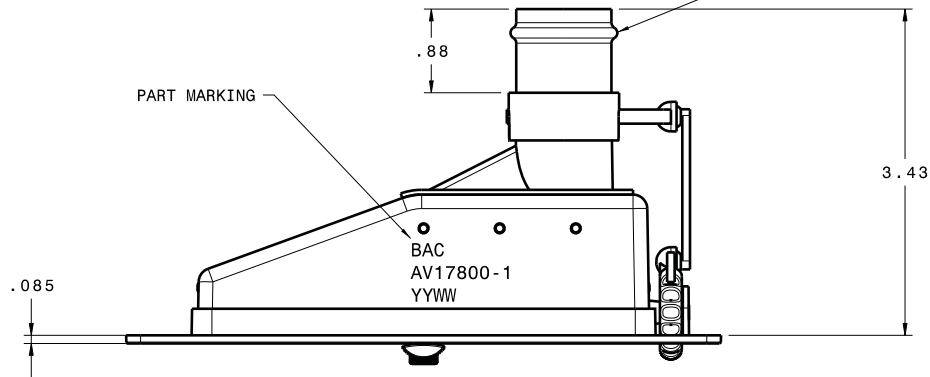
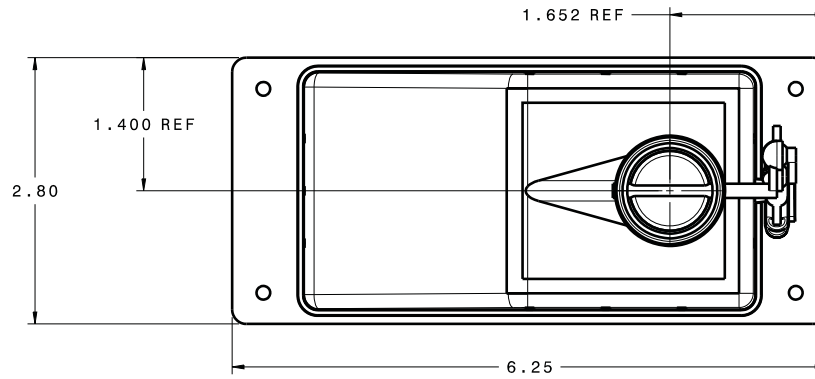
1

DWG. NO. AV17800  
 SH. 1  
 REV. B

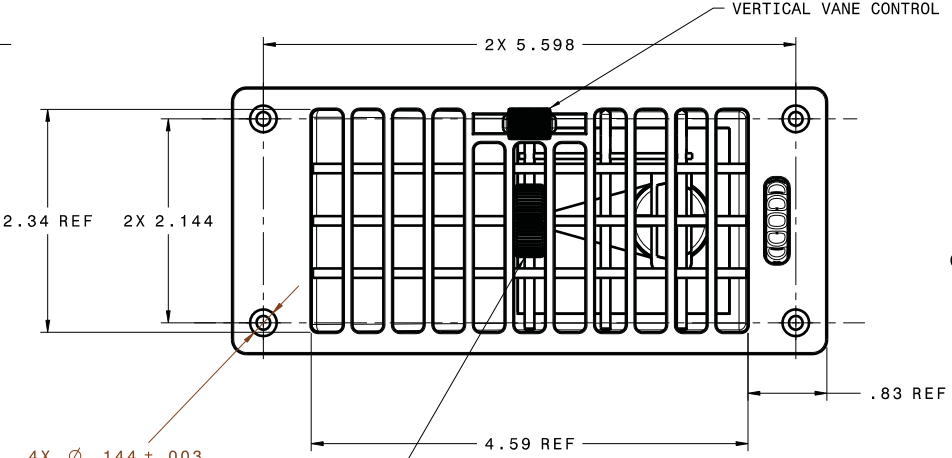
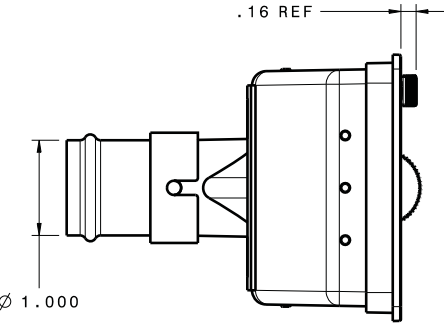
A

THE INFORMATION DISCLOSED HEREIN WAS ORIGINATED BY AND IS THE PROPERTY OF BIRK AEROSYSTEMS CORPORATION. BIRK AEROSYSTEMS CORPORATION RESERVES ALL PATENT, PROPRIETARY, DESIGN, USE, MANUFACTURING AND REPRODUCTION RIGHTS.

ZONE	REV	DESCRIPTION	DATE	APPROVED
-		SEE DCN 4377.	10-07-08	BLB
A		SEE DCN 4600.	10-10-22	BLB
B		SEE DCN 5208.	11-06-06	BLB



TUBE END PER AS5131-16 STYLE B



OPEN-CLOSE

4X  $\varnothing .144 \pm .003$   
 $\sphericalangle \varnothing .280 \pm .005 \text{ X } 100^\circ$

HORIZONTAL VANE CONTROL

- 1

UNLESS OTHERWISE SPECIFIED DIMENSIONS ARE IN INCHES		CONTRACT NO.		BIRK AEROSYSTEMS CORPORATION GARDEN GROVE, CALIFORNIA 92843	
TOLERANCES ARE:		APPROVALS		TITLE	
FRACTIONS	DECIMALS	SM	DATE	COCKPIT AIR OUTLET	
$\pm .1/32$	.XXx-.03	ALB	10-07-08	CAGE CODE	
DO NOT SCALE DRAWING	.XXXx-.010	ENGR	10-07-08	SIZE	DWG. NO.
MATERIAL	SEE PL	SM	10-07-08	C 1XE65	AV17800
FINISH	SEE NOTE(S)	ISSUED	10-07-08	SCALE	WT.
TREATMENT		FILE NO.	AV17800/PV2	1/1	SHEET 2

DWS - 000 - AV17800 SH 2 REV B

A