

4

3

2

1

THE INFORMATION DISCLOSED HEREIN WAS ORIGINATED BY AND IS THE PROPERTY OF BIRK AEROSYSTEMS CORPORATION. BIRK AEROSYSTEMS CORPORATION RESERVES ALL PATENT, PROPRIETARY, DESIGN, USE, MANUFACTURING AND REPRODUCTION RIGHTS THERE TO.

REV STATUS OF SHEET	REV	-						
	SHEET	1						

REVISION				
ZONE	REV	DESCRIPTION	DATE	APPROVED
	-	SEE DCN 1667.	02-11-26	BLB

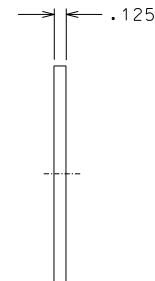
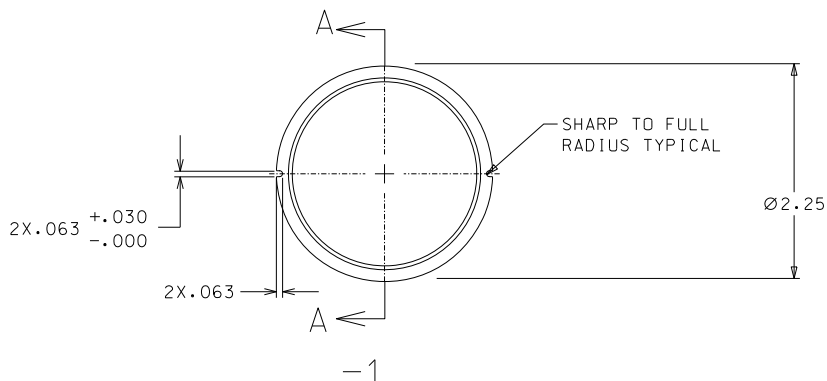
NOTE(S):

- BREAK AND DEBURR ALL SHARP EDGES. SURFACE FINISH TO BE 63 OR BETTER.
- FINISH:
 - 1: BARE



2.00-24 UNS-2B

SECTION A-A



QTY	RECD	CAGE CODE	PART OR IDENTIFYING NO.	NOMENCLATURE OR DESCRIPTION	MATERIAL SPECIFICATION	ITEM NO.
			-1	MOUNTING NUT	AL ALY 6061-T6511	

UNLESS OTHERWISE SPECIFIED DIMENSIONS ARE IN INCHES		CONTRACT NO.		BIRK AEROSYSTEMS CORPORATION	
FRACTIONS	DECIMALS	APPROVALS	DATE	GARDEN GROVE, CALIFORNIA 92843	
1/32	.XX	BLB	02-11-26 <td colspan="2">TITLE</td>	TITLE	
.XXX	.010	DKS	02-11-26 <td colspan="2">MOUNTING NUT</td>	MOUNTING NUT	
DO NOT SCALE DRAWING		BLB	02-11-26 <td>SIZE</td> <td>CAGE CODE</td>	SIZE	CAGE CODE
MATERIAL		CLB	02-11-26 <td>C</td> <td>1XE65</td>	C	1XE65
FINISH		ISSUED	02-11-26 <td>DWG NO.</td> <td>8049</td>	DWG NO.	8049
SEE NOTE(S)		FILE NO.	8049/PV <td>SCALE</td> <td>1/1 </td>	SCALE	1/1
NEXT ASSY	USED ON	WT.		SHEET	1 OF 1
APPLICATION					

4

3

2

1

DWG NO. 8049

SHEET 1 OF 1

REV. -