

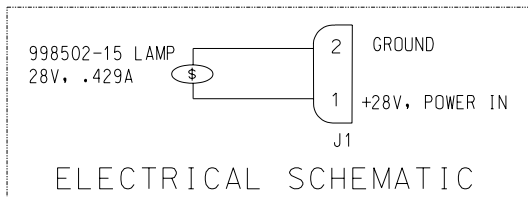
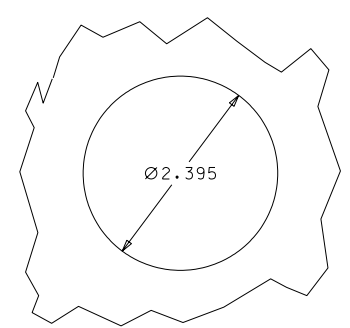
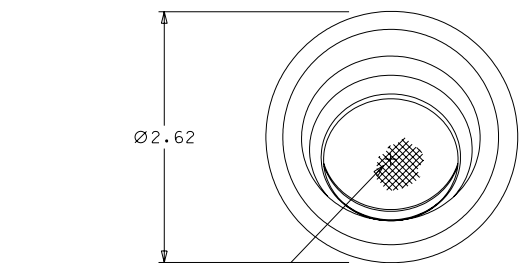
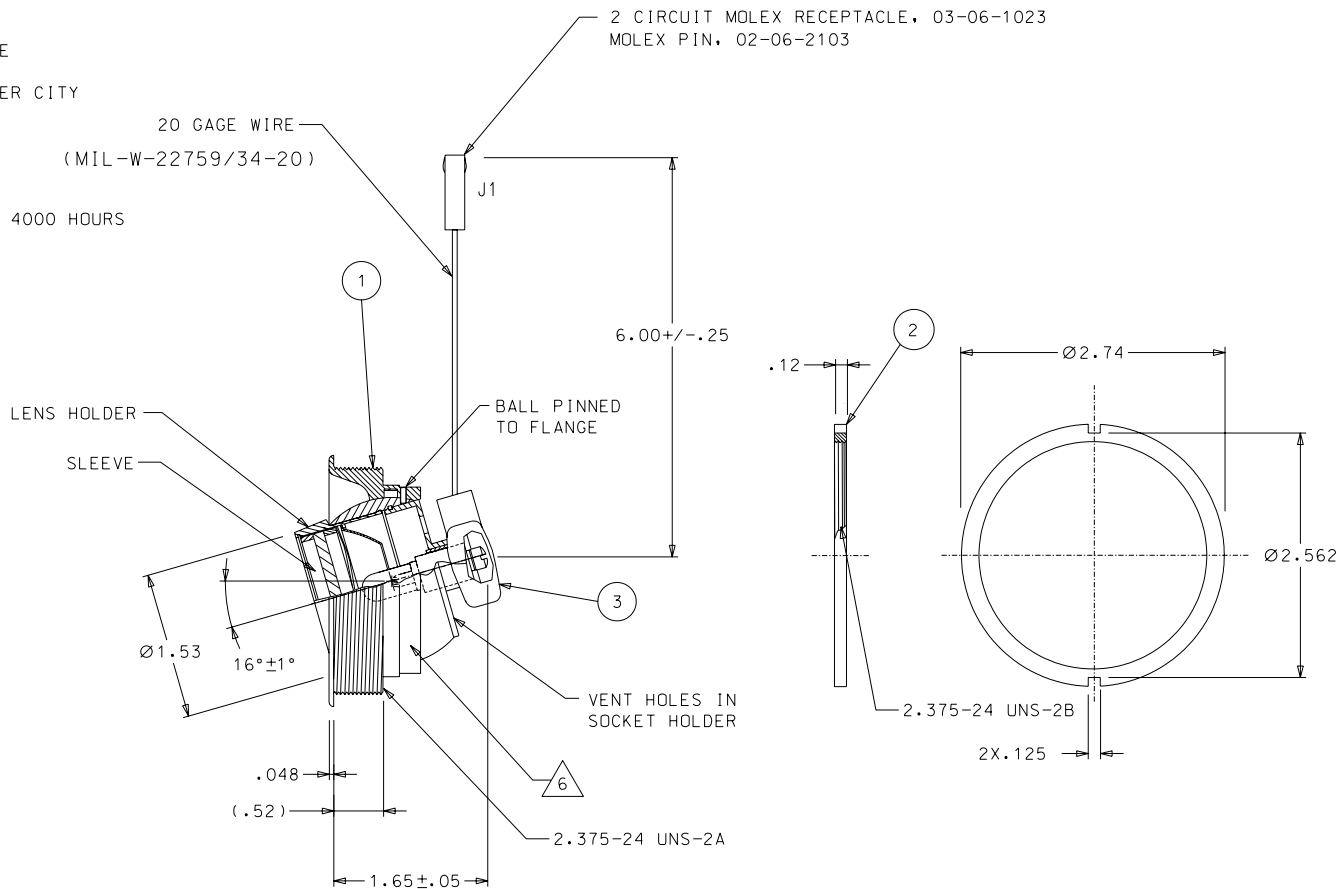
THE INFORMATION DISCLOSED HEREIN WAS ORIGINATED BY AND IS THE PROPERTY OF BIRK AEROSYSTEMS CORPORATION. BIRK AEROSYSTEMS CORPORATION RESERVES ALL PATENT, PROPRIETARY, DESIGN, USE, MANUFACTURING AND REPRODUCTION RIGHTS THERETO.

REV STATUS OF SHEET	REV	-					
	SHEET	1					

REVISION				
ZONE	REV	DESCRIPTION	DATE	APPROVED
	-	SEE DCN 1604.	02-10-07	BLB

NOTE(S):

1. MAXIMUM WEIGHT: 0.30 LBS (136 GRAMS)
2. FINISH:  
SLEEVE: BLACK ANODIZE FOR ALL DASH NUMBERS  
BALL, LENS HOLDER, FLANGE:  
RL6867: MATTE (SISAL) TEXTURE WITH CLEAR ANODIZE  
RL6867-XX: PER CUSTOMER  
EXAMPLE: RL6867-QCP500 (READING LIGHT WITH QUAKER CITY PLATING POLISHED GOLD)
3. ACCEPTANCE TEST PER ATP RLO01.
4. LAMP REPLACEMENT:  
WELCH ALLYN #998502-15: 28V, .429A, 10.62 MSCP, 4000 HOURS
5. LAMP ACCESS: PULL LENS HOLDER FROM BALL.
6. PERMANENTLY MARK PART WITH THE FOLLOWING IDENTIFICATION INFORMATION:  
A) BAC  
B) PART NUMBER  
C) MFG DATE CODE: YYWW (YEAR WEEK)



QTY	REQD	CAGE CODE	PART OR IDENTIFYING NO.	NOMENCLATURE OR DESCRIPTION	MATERIAL SPECIFICATION	ITEM NO.
1			TG9000-1	TERMINAL GUARD	SILICONE RUBBER	3
1			MN8006-1	MOUNTING NUT	ALUMINUM ALLOY	2
1			6867-XX	READING LIGHT	ALUMINUM ALLOY	1

PARTS LIST

UNLESS OTHERWISE SPECIFIED DIMENSIONS ARE IN INCHES TOLERANCES ARE: FRACTIONS DECIMALS ANGLES ±1/32 ±.005 ±1/2° .XXX ±.010		CONTRACT NO.		BIRK AEROSYSTEMS CORPORATION GARDEN GROVE, CALIFORNIA 92843	
DO NOT SCALE DRAWING	MATERIAL	SEE PL	APPROVALS	DATE	TITLE
FINISH	SEE NOTE(S)		DRAWN	BLB	02-10-07
TREATMENT			CHECKED	DKS	02-10-07
NEXT ASSY	USED ON		ENGR	BLB	02-10-07
APPLICATION			ISSUED	CLB	02-10-07
			FILE NO.	RL6867/PV	SCALE 1/1
					WT.
					SHEET 1 OF 1