

4

3

2

1

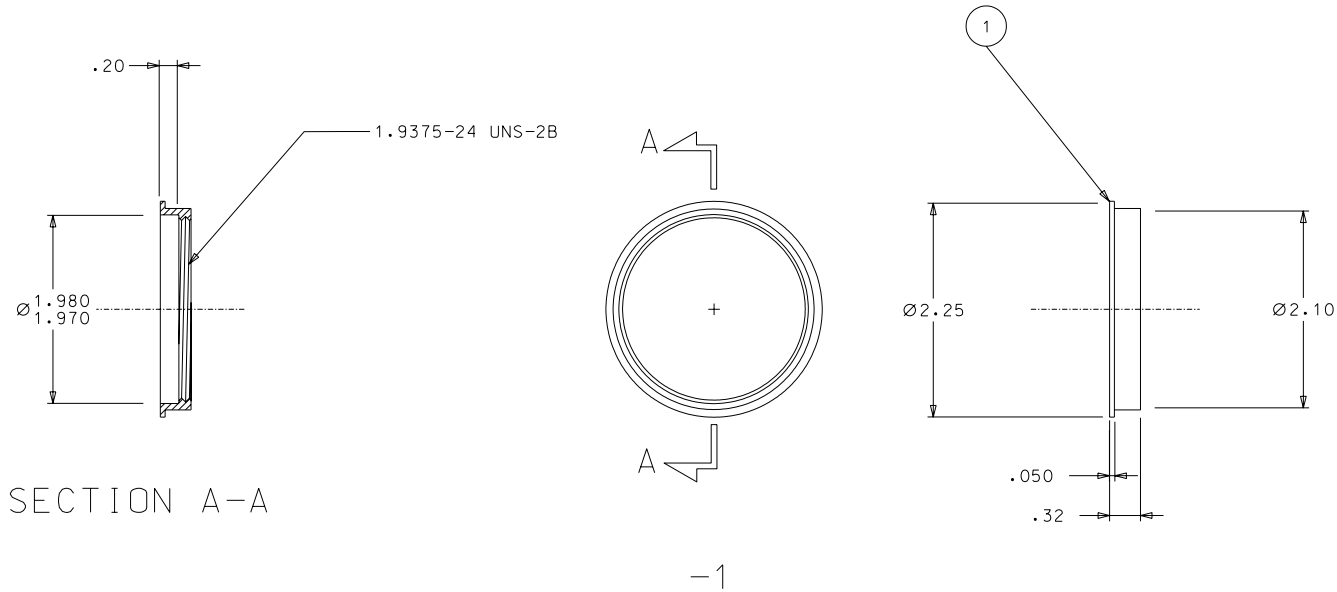
THE INFORMATION DISCLOSED HEREIN WAS ORIGINATED BY AND IS THE PROPERTY OF BIRK AEROSYSTEMS CORPORATION. BIRK AEROSYSTEMS CORPORATION RESERVES ALL PATENT, PROPRIETARY, DESIGN, USE, MANUFACTURING AND REPRODUCTION RIGHTS THERETO.

REV STATUS OF SHEET	REV	-					
	SHEET	1					

REVISION				
ZONE	REV	DESCRIPTION	DATE	APPROVED
	-	SEE DCN 1673.	02-11-26	BLB

NOTE(S):

1. FINISH: CLEAR ANODIZE PER MIL-A-8625 TYPE II, CLASS 1. NICKEL ACETATE SEAL. OPTIONAL FINISH - CLEAR CHEMICAL FILM PER MIL-C-5541.



	1	8034-1	MOUNTING NUT	ALUMINUM ALLOY			1
QTY REQD	-1	CAGE CODE	PART OR IDENTIFYING NO.	NOMENCLATURE OR DESCRIPTION	MATERIAL SPECIFICATION		ITEM NO.
PARTS LIST							

UNLESS OTHERWISE SPECIFIED DIMENSIONS ARE IN INCHES TOLERANCES ARE:		CONTRACT NO.		BIRK AEROSYSTEMS CORPORATION GARDEN GROVE, CALIFORNIA 92843			
FRACTIONS	DECIMALS	ANGLES	APPROVALS	DATE	TITLE		
1/32	.XX	1/2°	DRAWN	02-11-26	MOUNTING NUT		
	.XX	1/10	CHECKED	02-11-26	SIZE CAGE CODE		
			ENGR	02-11-26	C	1XE65	DWG NO. MN8034
			ISSUED	02-11-26			REV. -
NEXT ASSY	USED ON	TREATMENT	FILE NO.	MN8034/PV	SCALE	1/1	WT. SHEET 1 OF 1

4

3

2

1

DWG NO. MN8034 SH 1 REV -

A

BAC BIRK AEROSYSTEMS CORP. HUNTINGTON BEACH, CA.	DOCUMENT CHANGE NOTICE	<input type="checkbox"/> ADCN <input checked="" type="checkbox"/> DCN NO. 1673 Sheet 1 of 1
---	-------------------------------	---

Document Title: MOUNTING NUT	Document No.: MN8034	Rev. Letter: -	Release Date: 02-11-26
--	--------------------------------	-------------------	----------------------------------

REASON				PROJECT#		DATE	
SUPPLIER REQUEST		QUALITY/RELIABILITY		00120501	Prepared By:	B. BIRK	02-11-26
CUSTOMER REQUEST AS NOTED BELOW	X	DOCUMENT ERROR		DCR #: NA	Checked By:	B. BIRK	02-11-26
		NEW RELEASE	X	LOG #: 1673	IMPACT ANALYSIS REPORT		
PRODUCIBILITY		DESIGN CHANGE		STATUS (R) P	AREAS AFFECTED	YES	NO
COST REDUCTION		SAFETY		CLASS 1 (2)	MANUFACTURING	<input type="checkbox"/>	<input checked="" type="checkbox"/>
					SERVICE	<input type="checkbox"/>	<input checked="" type="checkbox"/>

Description of Change:

1) ORIGINAL RELEASE

MFG INTERVENTION POINT	NOTES:																							
SER NO. _____ DATE: 02-11-26																								
<table border="1" style="width:100%; border-collapse: collapse;"> <tr> <th>Y</th> <th>N</th> <th>CODE</th> </tr> <tr> <td style="text-align: center;">X</td> <td></td> <td>USR</td> </tr> <tr> <td></td> <td></td> <td>USR</td> </tr> <tr> <td></td> <td></td> <td>USR</td> </tr> <tr> <td></td> <td></td> <td>USR</td> </tr> <tr> <td></td> <td></td> <td>USR</td> </tr> <tr> <td></td> <td></td> <td>USR</td> </tr> </table>	Y	N	CODE	X		USR			USR			USR			USR			USR			USR	ADCN/DCN COMMITTEE APPROVALS		EFFECTIVITY REQUIREMENTS FIELD RETROFIT CONTROL
Y	N	CODE																						
X		USR																						
		USR																						
		USR																						
		USR																						
		USR																						
		USR																						
NEW PARTS	ORGANIZATION	SIGNATURE	DATE	TAG NO. REQD <input type="checkbox"/> YES <input checked="" type="checkbox"/> NO																				
VENDOR NOT.	Q. A.	<i>[Signature]</i>	02-11-26	TAG NO. _____																				
INVENTORY	ENGINEERING	<i>[Signature]</i>	02-11-26	<input type="checkbox"/> MANDATORY																				
WIP	PURCHASING	<i>[Signature]</i>	11-26-02	<input type="checkbox"/> OPTIONAL																				
FIN PROD	MANUFACTURING	<i>[Signature]</i>	11-26-02	<input type="checkbox"/> REPLACE ITEM																				
OTHER	CUST. SERVICE	<i>[Signature]</i>	11-26-02	<input type="checkbox"/> OTHER _____																				