

4

3

2

1

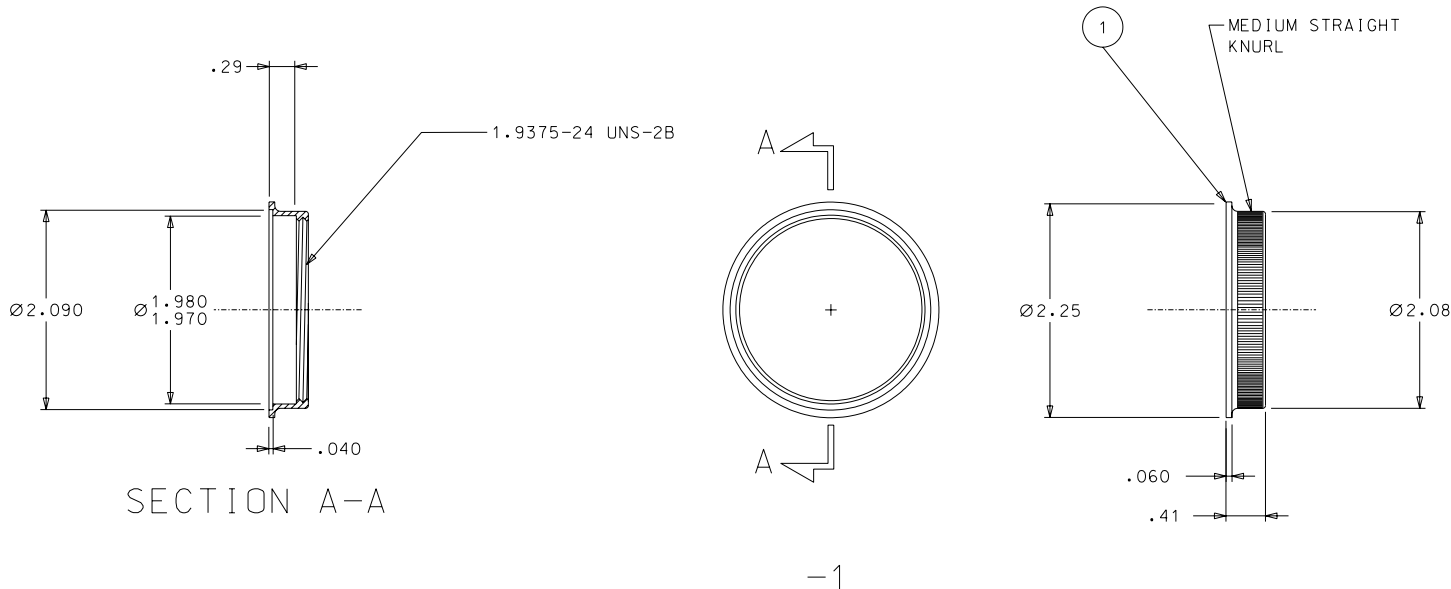
THE INFORMATION DISCLOSED HEREIN WAS ORIGINATED BY AND IS THE PROPERTY OF BIRK AEROSYSTEMS CORPORATION. BIRK AEROSYSTEMS CORPORATION RESERVES ALL PATENT, PROPRIETARY, DESIGN, USE, MANUFACTURING AND REPRODUCTION RIGHTS THERETO.

| | | | | | | | |
|---------------------|-------|---|--|--|--|--|--|
| REV STATUS OF SHEET | REV | A | | | | | |
| | SHEET | 1 | | | | | |

| REVISION | | | | |
|----------|-----|---------------|----------|----------|
| ZONE | REV | DESCRIPTION | DATE | APPROVED |
| | - | SEE DCN 1328. | 01-11-18 | BLB |
| | A | SEE DCN 1360. | 02-03-14 | BLB |

NOTE(S):

1. FINISH: CLEAR ANODIZE PER MIL-A-8625 TYPE II, CLASS 1. NICKEL ACETATE SEAL. OPTIONAL FINISH - CLEAR CHEMICAL FILM PER MIL-C-5541.



| QTY | REQD | CAGE CODE | PART OR IDENTIFYING NO. | NOMENCLATURE OR DESCRIPTION | MATERIAL SPECIFICATION | ITEM NO. |
|-----|------|-----------|-------------------------|-----------------------------|------------------------|----------|
| 1 | | 8031-1 | MOUNTING NUT | AL ALY 6061-T6511 | | 1 |

| UNLESS OTHERWISE SPECIFIED DIMENSIONS ARE IN INCHES TOLERANCES ARE: | | CONTRACT NO. | | BIRK AEROSYSTEMS CORPORATION GARDEN GROVE, CALIFORNIA 92843 | |
|---|-------------|--------------|-----------|---|--------------|
| FRACTIONS | DECIMALS | ANGLES | APPROVALS | DATE | TITLE |
| 1/32 | .XX | 1/2° | DRAWN | 01-11-18 | MOUNTING NUT |
| DO NOT SCALE DRAWING | .XX | 1/2° | CHECKED | 01-11-18 | |
| MATERIAL | SEE PL | ENGR | BLB | 01-11-18 | |
| FINISH | SEE NOTE(S) | ISSUED | CLB | 01-11-18 | |
| NEXT ASSY | USED ON | TREATMENT | FILE NO. | MN8031/PV | SCALE 1/1 |
| | | | | SIZE | CAGE CODE |
| | | | | C | 1XE65 |
| | | | | DWG NO. | MN8031 |
| | | | | REV. | A |
| | | | | WT. | |
| | | | | SHEET | 1 OF 1 |

4

3

2

1

DWG NO. MN8031 SH 1 REV A

BAC

BIRK AEROSYSTEMS CORP.
HUNTINGTON BEACH, CA.

DOCUMENT CHANGE NOTICE

ADCN DCN
NO. 1360

Sheet 1 of 1

Document Title:

MOUNTING NUT

Document No.:

MN8031

Rev. Letter:

A

Release Date:

02-03-14

REASON

| REASON | | | | PROJECT# | Prepared By: | DATE |
|------------------------------------|-------------------------------------|---------------------|-------------------------------------|---|------------------------|--|
| SUPPLIER REQUEST | | QUALITY/RELIABILITY | | 01090501 | B. BIRK | 02-03-14 |
| CUSTOMER REQUEST AS NOTED BELOW | | DOCUMENT ERROR | | DCR #: NA | B. BIRK | 02-03-14 |
| | | NEW RELEASE | | LOG #: 1360 | IMPACT ANALYSIS REPORT | |
| PRODUCIBILITY | <input checked="" type="checkbox"/> | DESIGN CHANGE | <input checked="" type="checkbox"/> | STATUS <input checked="" type="checkbox"/> R <input type="checkbox"/> P | AREAS AFFECTED | YES NO |
| COST REDUCTION | | SAFETY | | CLASS 1 <input checked="" type="checkbox"/> 2 | MANUFACTURING | <input type="checkbox"/> <input checked="" type="checkbox"/> |
| | | | | | SERVICE | <input type="checkbox"/> <input checked="" type="checkbox"/> |

Description of Change:

1) SHEET 1, ZONE 1C IS: Ø2.08 WAS: Ø2.06

MFG INTERVENTION POINT

NOTES:

ALL PARTS IN WIP CONFORM

SER NO. _____ DATE: 02-03-14

Y
E N
S O
CODE

| | | |
|-------------|-------------------------------------|-----|
| NEW PARTS | <input checked="" type="checkbox"/> | USR |
| VENDOR NOT. | <input checked="" type="checkbox"/> | USR |
| INVENTORY | <input checked="" type="checkbox"/> | USR |
| WIP | <input checked="" type="checkbox"/> | USR |
| FIN PROD | <input checked="" type="checkbox"/> | USR |
| OTHER | | USR |

ADCN/DCN COMMITTEE APPROVALS

| ORGANIZATION | SIGNATURE | DATE |
|---------------|--------------------|----------|
| Q. A. | <i>[Signature]</i> | 02-03-14 |
| ENGINEERING | <i>[Signature]</i> | 02-03-14 |
| PURCHASING | <i>[Signature]</i> | 02-03-14 |
| MANUFACTURING | <i>[Signature]</i> | 3-14-14 |
| CUST. SERVICE | <i>[Signature]</i> | 4/3/14 |

EFFECTIVITY REQUIREMENTS FIELD RETROFIT CONTROL

| | | |
|---------------------------------------|------------------------------|--|
| TAG NO. REQD | <input type="checkbox"/> YES | <input checked="" type="checkbox"/> NO |
| TAG NO. _____ | | |
| <input type="checkbox"/> MANDATORY | | |
| <input type="checkbox"/> OPTIONAL | | |
| <input type="checkbox"/> REPLACE ITEM | | |
| <input type="checkbox"/> OTHER | | |