

4

3

DWG NO. MN8004

SH 1 REV. -

1

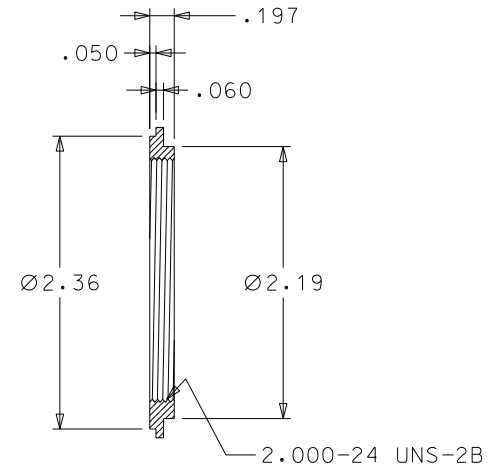
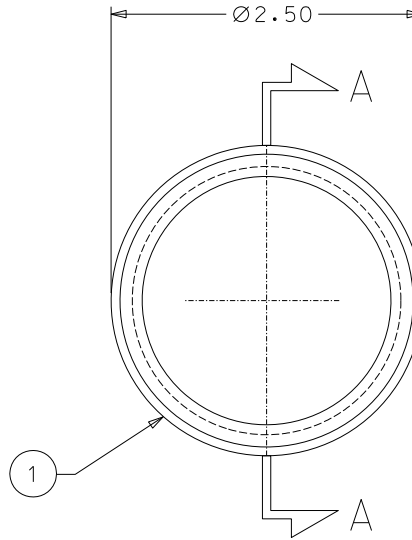
THE INFORMATION DISCLOSED HEREIN WAS ORIGINATED BY AND IS THE PROPERTY OF BIRK AEROSYSTEMS CORPORATION AND EXCEPT FOR RIGHTS EXPRESSLY GRANTED TO THE UNITED STATES GOVERNMENT, BIRK AEROSYSTEMS CORPORATION RESERVES ALL PATENT, PROPRIETARY, DESIGN, USE, MANUFACTURING AND REPRODUCTION RIGHTS THERETO.

REV STATUS OF SHEET	REV	-	
	1		

REVISION				
ZONE	REV	DESCRIPTION	DATE	APPROVED
-		SEE DCN 0468.	99-01-26	BLB

NOTE(S):

1. FINISH: CLEAR ANODIZE PER MIL-A-8625 TYPE II, CLASS 1. NICKEL ACETATE SEAL. OPTIONAL FINISH - CLEAR CHEMICAL FILM PER MIL-C-5541.



SECTION A-A
-1

1	8004-1	MOUNTING NUT	AL ALLOY	1	
-1	CAGE CODE	PART OR IDENTIFYING NO.	NOMENCLATURE OR DESCRIPTION	MATERIAL SPECIFICATION	ITEM NO.
QTY	REOD	PARTS LIST			

UNLESS OTHERWISE SPECIFIED DIMENSIONS ARE IN INCHES TOLERANCES ARE: FRACTIONS DECIMALS ANGLES $\pm 1/32$.XX $\pm .03$ $\pm 1/2^\circ$.XXX $\pm .010$		CONTRACT NO.		BIRK AEROSYSTEMS CORPORATION GARDEN GROVE, CALIFORNIA 92843	
DO NOT SCALE DRAWING		APPROVALS	DATE	TITLE	
MATERIAL SEE PL		DRAWN	BLB	99-01-26	MOUNTING NUT
FINISH SEE NOTE(S)		CHECKED	BLB	99-01-26	
TREATMENT		ENGR	BLB	99-01-26	
NEXT ASSY	USED ON	ISSUED	BLB	99-01-26	SIZE CAGE CODE DWG NO. REV.
APPLICATION		FILE NO.	MN8004/PV	SCALE	WT. SHEET
				2/1	1 OF 1

4

3

2

1