

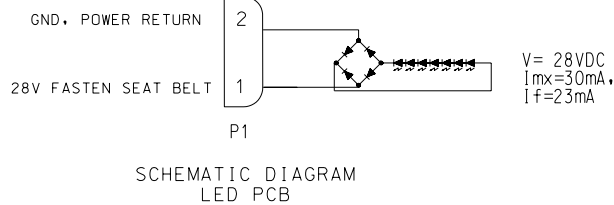
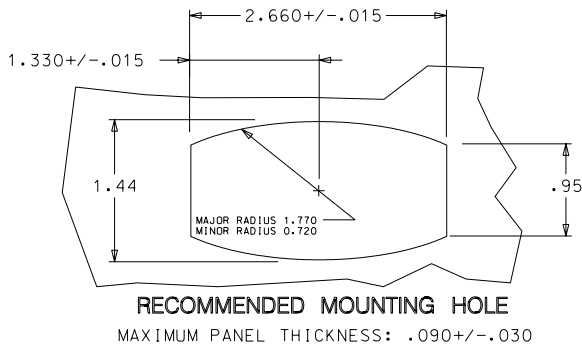
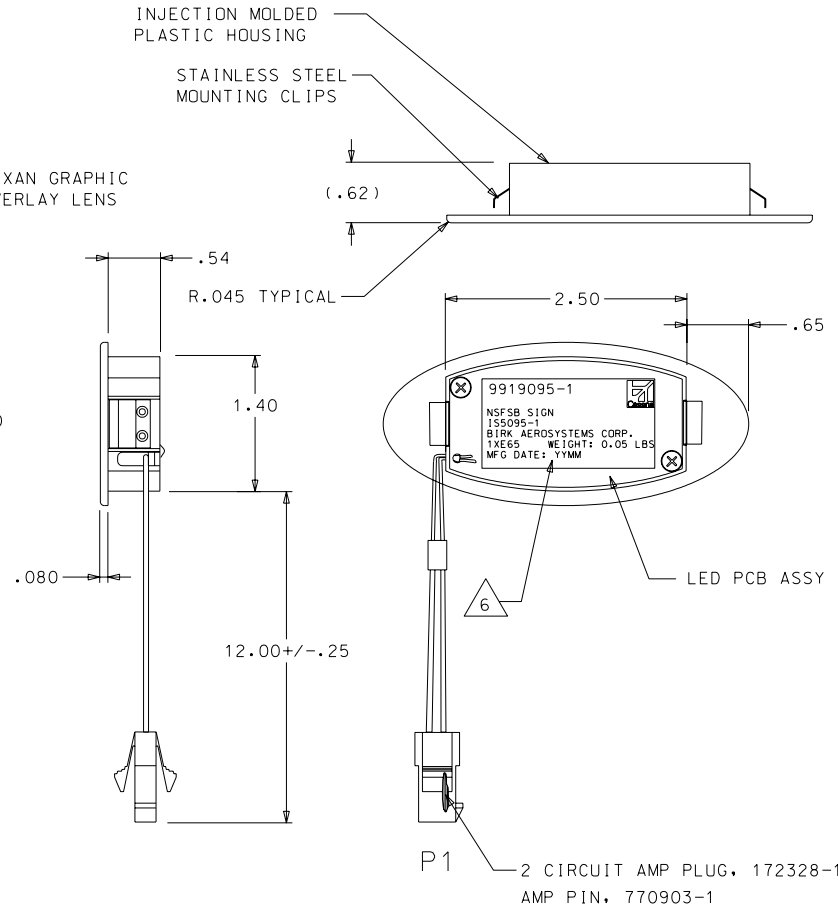
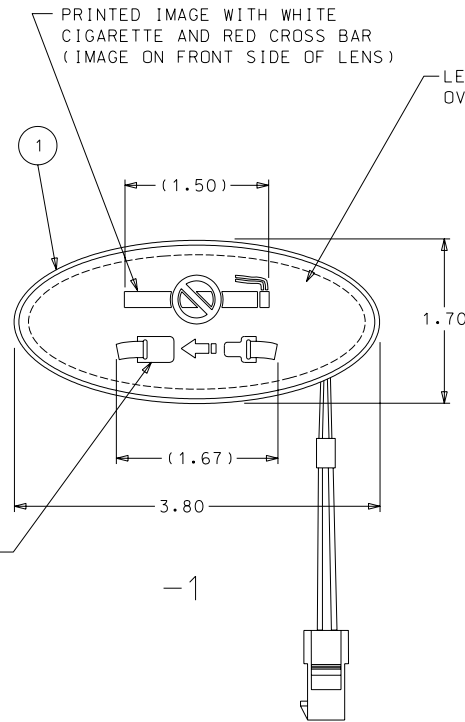
THE INFORMATION DISCLOSED HEREIN WAS ORIGINATED BY AND IS THE PROPERTY OF BIRK AEROSYSTEMS CORPORATION. BIRK AEROSYSTEMS CORPORATION RESERVES ALL PATENT, PROPRIETARY, DESIGN, USE, MANUFACTURING AND REPRODUCTION RIGHTS THERETO.

REV STATUS OF SHEET	REV	A					
	SHEET	1					

REVISION				
ZONE	REV	DESCRIPTION	DATE	APPROVED
	-	SEE DCN 2200.	05-01-05	BLB
	A	SEE DCN 2463.	05-09-19	BLB

NOTE(S):

- SEE PARTS LIST FOR MATERIAL DESCRIPTION.
- FINISH:
COLOR OF SYMBOL BACKGROUND AREA AND PLASTIC BEZEL: BLACK TO APPROXIMATE FED-STD-595 COLOR NO. 27038.
- ALL SYMBOLS ARE OBSCURE WHEN NOT ILLUMINATED.
- SEAT BELT SYMBOLS ARE WHITE WHEN ILLUMINATED.
- ARROW SYMBOLS ARE TRANSLUCENT RED WHEN ILLUMINATED.
- IDENTIFY IN ACCORDANCE WITH CESSNA STANDARD S3133-1-2.
- LEAD WIRES PER MIL-W-81044/12.
- ALL MATERIAL TO MEET FAR 25.853(d).
- NOMINAL WIGHT: 24.0 GRAMS
MAXIMUM WEIGHT: 27.6 GRAMS
- MTBF: 81,000 HOURS



1	5095-1	NSFSB SIGN	LEXAN/SST/GLASS EPOXY	1	
QTY REQD	CAGE CODE	PART OR IDENTIFYING NO.	NOMENCLATURE OR DESCRIPTION	MATERIAL SPECIFICATION	ITEM NO.
PARTS LIST					
BIRK AEROSYSTEMS CORPORATION GARDEN GROVE, CALIFORNIA 92843					
CONTRACT NO.		TITLE			
APPROVALS		DATE			
DRAWN	BLB	05-01-05			
CHECKED	CDH	05-01-05			
ENGR	BLB	05-01-05			
ISSUED	CLB	05-01-05			
FILE NO.	ISS095/PV	SCALE	1/1	WT.	SHEET 1 OF 1
NEXT ASSY USED ON APPLICATION		FINISH	SEE NOTE(S)	TREATMENT	SIZE CAGE CODE
					C 1XE65
				DWG NO.	IS5095
				REV.	A