

4

3

2

1

THE INFORMATION DISCLOSED HEREIN WAS ORIGINATED BY AND IS THE PROPERTY OF BIRK AEROSYSTEMS CORPORATION. BIRK AEROSYSTEMS CORPORATION RESERVES ALL PATENT, PROPRIETARY, DESIGN, USE, MANUFACTURING AND REPRODUCTION RIGHTS THERETO.

REV STATUS OF SHEET	REV	B	B				
	SHEET	1	2				

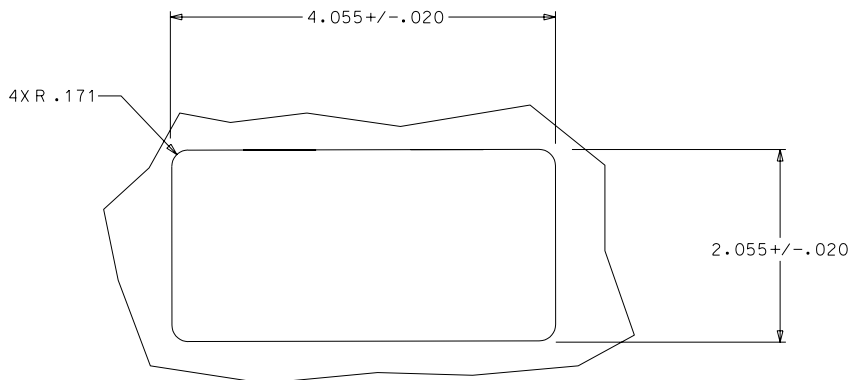
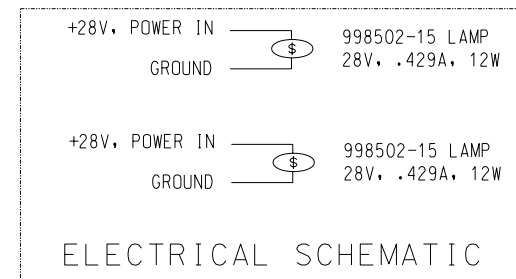
REVISION				
ZONE	REV	DESCRIPTION	DATE	APPROVED
	-	SEE DCN 0738.	00-09-15	BLB
	A	SEE DCN 1584.	02-09-20	BLB
	B	SEE DCN 1615.	02-10-14	BLB

NOTE(S):

- MAXIMUM WEIGHT: 144 GRAMS
- BEZEL FINISH:  
DL2541-1: FINE SATIN CLEAR ANODIZE  
DL2541-2: FINE SATIN BLACK ANODIZE  
DL2541: TO BE FINISHED/PLATED PER RAYTHEON AIRCRAFT INTERIOR CONTRACT DRAWING 401-534XXX.
- ACCEPTANCE TEST PER ATP2541.
- LAMP REPLACEMENT:  
LAMP# 998502-15 (WELCH ALLYN): 28V, .429A, 10.62 MSCP, 4000 HOURS
- LAMP ACCESS: PULL ON END EDGE OF BEZEL TO DISENGAGE LENS/BEZEL ASSY FROM HOUSING ASSEMBLY.
- PERMANENTLY INK STAMP AS SHOWN.
- INK STAMP IDENTIFICATION PER RAYTHEON AIRCRAFT CO. SPECIFICATION BS383 WITH THE FOLLOWING:  
A) BAC  
B) PART NUMBER  
C) MFG DATE CODE: YYWW (YEAR WEEK)  
D) RAYTHEON AIRCRAFT CO. (RAC) PART NUMBER
- ARTICLE MEETS THE REQUIREMENT OF RAYTHEON AIRCRAFT COMPANY SOURCE CONTROL DRAWING 401-384308.

DL2541	401-384308-0007
DL2541-2	401-384308-0005
DL2541-1	401-384308-0001
BAC PART NO.	RAC PART NO.

TABLE 1



RECOMMENDED MOUNTING HOLE

QTY	REV	CAGE CODE	PART OR IDENTIFYING NO.	NOMENCLATURE OR DESCRIPTION	MATERIAL SPECIFICATION	ITEM NO.
2		998502-15	LAMP	NA		4
2		1390-1	TERMINAL GUARD	SILICONE		3
1		1203-1	HOUSING ASSEMBLY	AL ALLOY		2
1		1201-X	LENS/BEZEL ASSY	AL ALLOY/GLASS		1

PARTS LIST

UNLESS OTHERWISE SPECIFIED DIMENSIONS ARE IN INCHES		CONTRACT NO.		BIRK AEROSYSTEMS CORPORATION	
TOLERANCES ARE:				GARDEN GROVE, CALIFORNIA 92843	
FRACTIONS	DECIMALS	ANGLES	APPROVALS	DATE	TITLE
$\pm 1/32$	.XX	$\pm 1/2^\circ$	DRAWN	00-09-15	DOME LIGHT ASSEMBLY
.XXX	$\pm .010$		CHECKED	00-09-15	
DO NOT SCALE DRAWING			ENGR	00-09-15	SIZE CAGE CODE
MATERIAL SEE PL			ISSUED	00-09-15	C 1XE65
FINISH SEE NOTE(S)			FILE NO.	DL2541/PV	DWG NO. DL2541
TREATMENT			SCALE	1/1	WT.
NEXT ASSY	USED ON	APPLICATION	SHEET	1 OF 2	REV. B

4

3

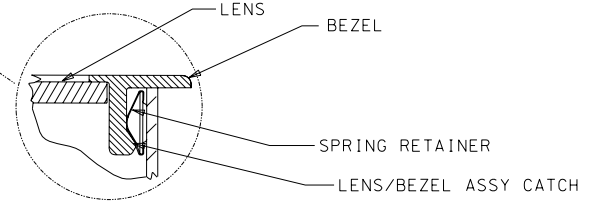
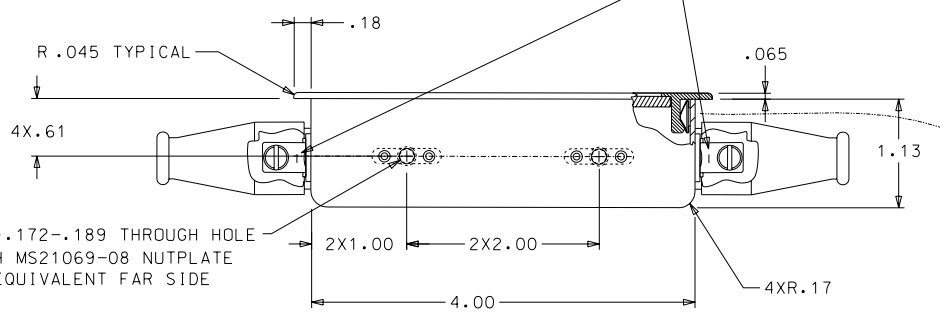
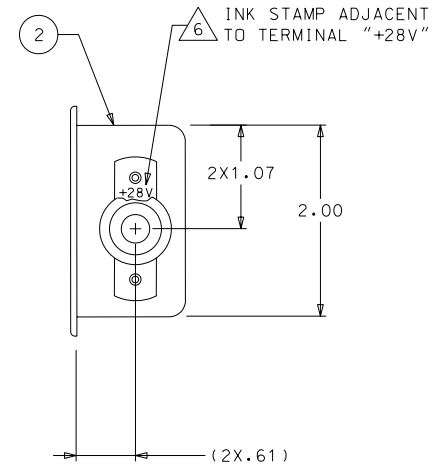
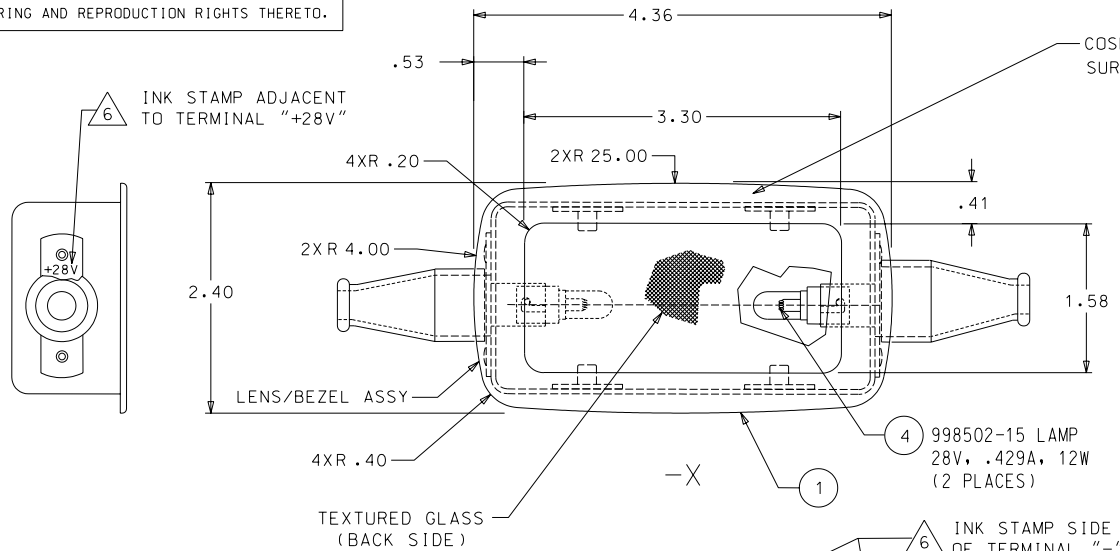
2

1

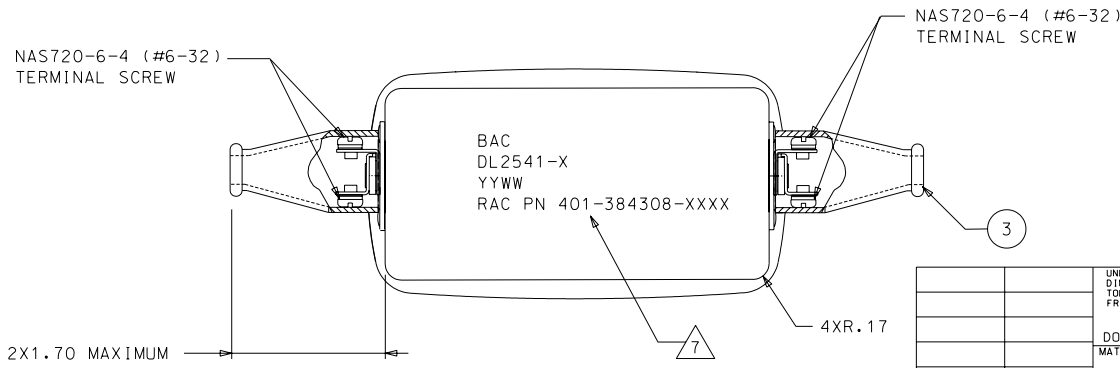
DWG NO. DL2541 SH 1 REV B

THE INFORMATION DISCLOSED HEREIN WAS ORIGINATED BY AND IS THE PROPERTY OF BIRK AEROSYSTEMS CORPORATION. BIRK AEROSYSTEMS CORPORATION RESERVES ALL PATENT, PROPRIETARY, DESIGN, USE, MANUFACTURING AND REPRODUCTION RIGHTS THERETO.

REVISION				
ZONE	REV	DESCRIPTION	DATE	APPROVED
	-	SEE DCN 0738.	00-09-15	BLB
	A	SEE DCN 1584.	02-09-20	BLB
	B	SEE DCN 1615.	02-10-14	BLB



LENS/BEZEL ASSY RETAINER DETAIL  
TYPICAL EACH END  
SCALE: 2/1



UNLESS OTHERWISE SPECIFIED DIMENSIONS ARE IN INCHES TOLERANCES ARE: FRACTIONS DECIMALS ANGLES ±1/32 ±.03 ±1/2° DO NOT SCALE DRAWING		CONTRACT NO.		BIRK AEROSYSTEMS CORPORATION GARDEN GROVE, CALIFORNIA 92843	
MATERIAL SEE SHEET 1		APPROVALS		TITLE	
FINISH SEE SHEET 1		DRAWN BLB 00-09-15		DOMELIGHT ASSEMBLY	
TREATMENT		CHECKED BLB 00-09-15		SIZE CAGE CODE	
NEXT ASSY USED ON APPLICATION		ENGR BLB 00-09-15		DL2541	
		ISSUED BLB 00-09-15		REV. B	
		FILE NO. DL2541/PV2		SCALE 1/1 WT. SHEET 2	

DWG NO. DL2541  
SHEET 2  
REV B