



## Product Description

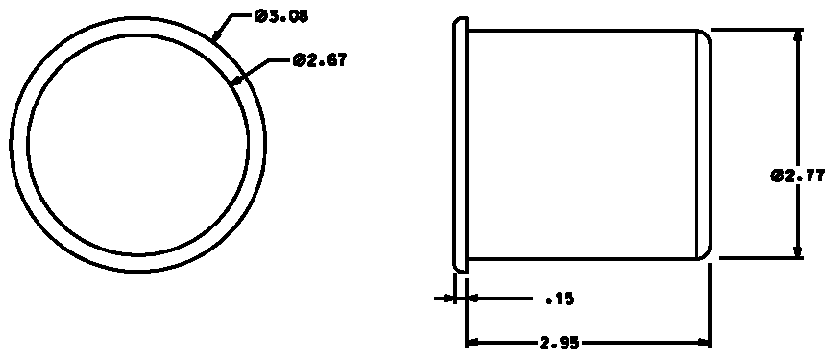
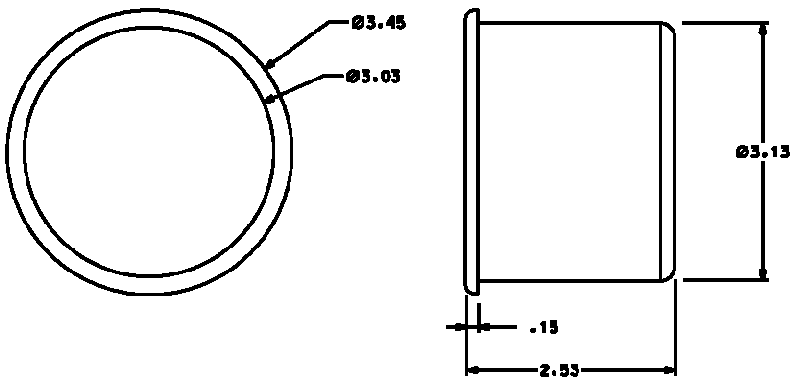
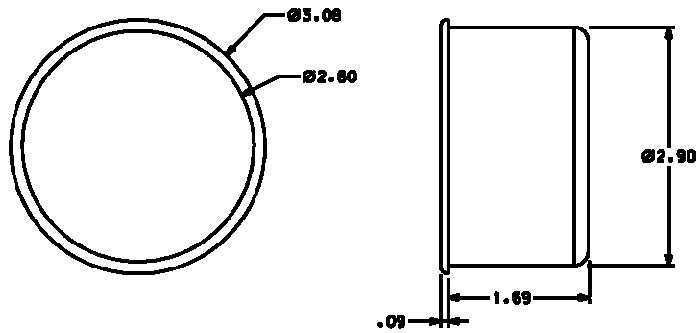
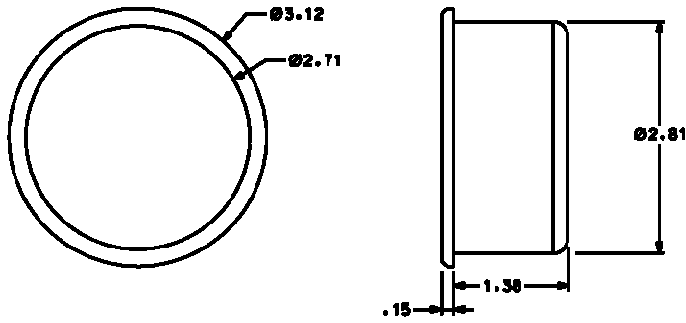
Billet type aluminum construction

Durable anodize finish

Wide range of standard sizes

Custom designs available

Custom plated finishes optional



These high quality cup holders are machined from solid aluminum billet. For durability the cup holders are furnished with a brushed texture and clear anodize finish. Custom plated finishes are also available.



14321 Commerce Drive  
Garden Grove CA, 92843

Phone: 714-554-9782  
Fax: 714-554-3659  
[www.birkaero.net](http://www.birkaero.net)