

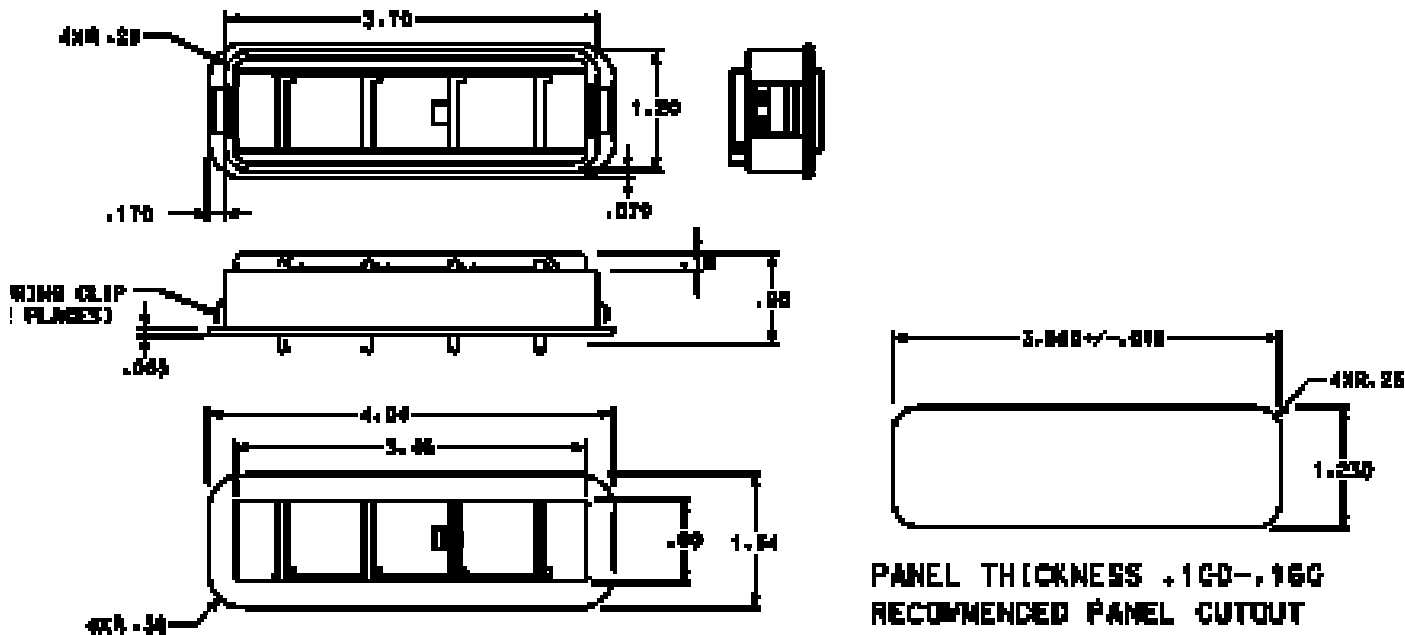
Product Description

Durable plastic louver air valve

Four vane design allows maximum control of air flow

Colors - black and gray

Easy to install and maintain



Part Number
 AV4001-1
 AV4001-2

Color
 Black
 Gray

AV4001 is a plastic injection molded four vane louver air valve. The wide rectangular frame allows for a large air flow pattern, and the four vane design maximizes air flow control. The AV4001 is furnished in gray or black.

Other Louver Air Valves

14321 Commerce Drive
 Garden Grove CA, 92843

Phone: 714-554-9782
 Fax: 714-554-3659
 www.birkaero.net

AV4000



AV4002

